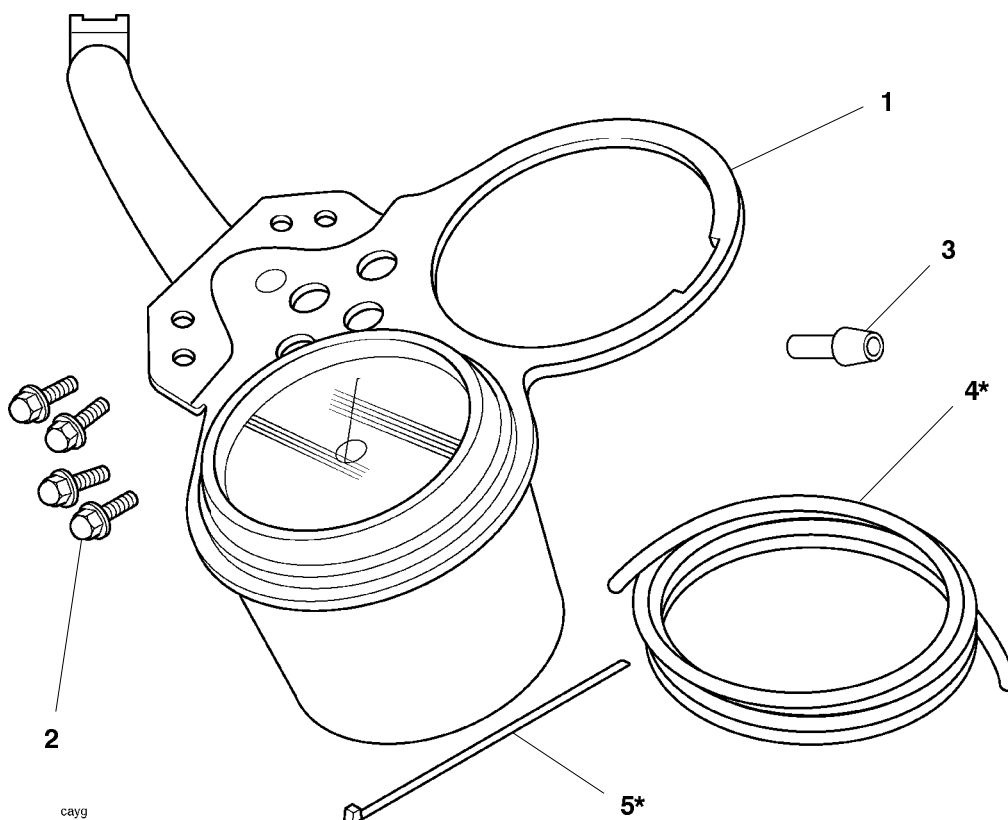


! WARNING: Always have Triumph approved parts, accessories and conversions fitted by a trained technician of an authorised Triumph dealer. The fitment of parts, accessories and conversions by a technician who is not of an authorised Triumph dealer may affect the handling, stability or other aspects of the motorcycle operation which may result in an accident causing injury or death.

! WARNING: Throughout this operation, ensure that the motorcycle is stabilised and adequately supported to prevent the risk of injury from the motorcycle falling.

! WARNING: Always ensure that newly installed wiring does not chafe against other parts of the motorcycle such that they may be rubbed through and cause an electrical problem. In addition, always ensure that newly installed wiring will not restrict steering movement. Both conditions are hazardous and could give rise to a dangerous riding condition resulting in a fire, loss of motorcycle control and/or an accident.



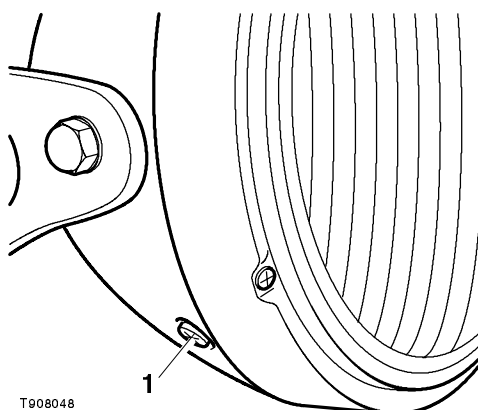
! WARNING: This kit is designed for use solely on Triumph Bonneville motorcycles and should not be fitted to any other Triumph model or motorcycles of other manufacturers. Fitting this kit to any other Triumph models or motorcycles of other manufacturers may interfere with the rider and could affect the stability and handling of the motorcycle leading to an accident causing injury or death.

Parts Supplied

1. Instrument assembly	1	4.* Cable	1
2. Domed screw, M6 x 16	4	5.* Cable tie	15
3. Reset knob	1		

* For use on motorcycles up to VIN 149948 only.

1. Undo the two screws located under the rear of the seat and remove the seat.
2. Disconnect the battery, disconnecting the negative (-) lead first.
3. Undo the screws and free the headlight rim from the shell.



1. Headlight rim screw

4. Disconnect the wiring connectors from the headlight bulb and sidelight bulb and remove the headlight.

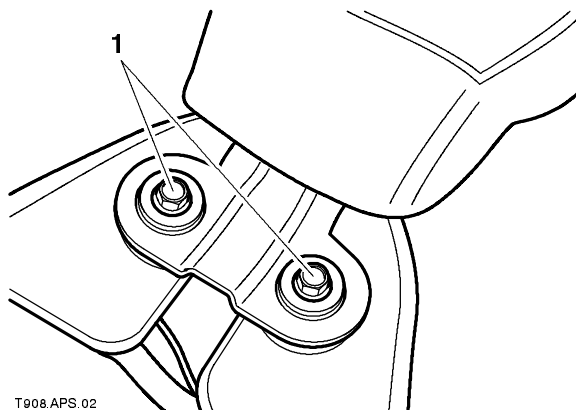
Motorcycles up to VIN 149948 only

5. Turn the fuel tap OFF and disconnect the hose from the tap

! WARNING: Observe the warning advice given in the service manual on the safe handling of fuel and fuel containers.

A fire, causing personal injury and damage to property could result from spilled fuel or fuel not handled or stored correctly.

6. Slacken and remove the fuel tank mounting bolts.

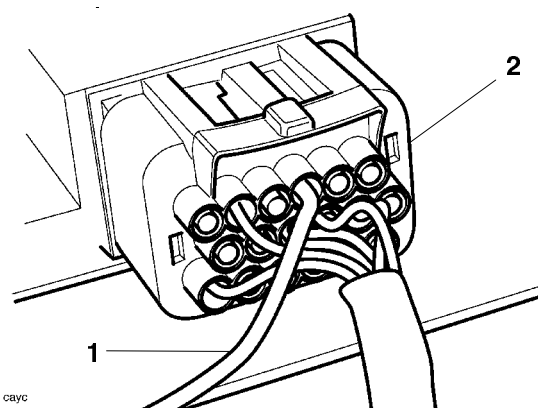


1. Fuel tank mounting bolts

7. Disconnect the breather hose from the right-hand side of the tank.

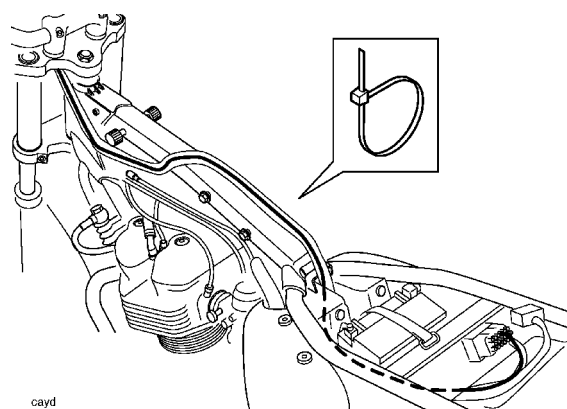
NOTE: On California models, this hose is the evaporative loss system hose. Plug the hose end whilst it is disconnected.

8. Remove the fuel tank, taking care not to lose the mounting rubbers.
9. Insert one end of the cable supplied with the kit into the igniter connection block as shown below.

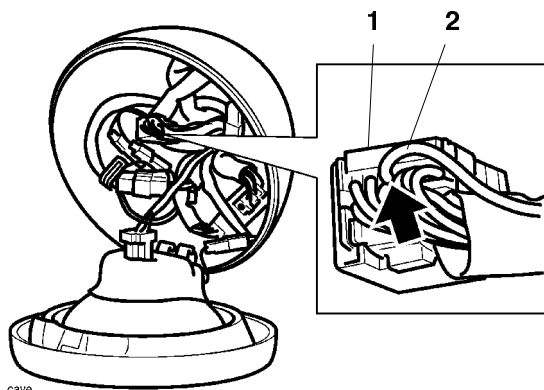


1. Cable 2. Igniter connection block

10. Route the cable from the igniter to the back of the headlamp shell as shown. Secure the cable to the main harness and frame at regular intervals using the cable ties supplied with the kit.



11. Feed the cable through the back of the headlamp shell. Locate the main harness instrument connector block. Insert the free end of the cable into the top row of the connector block 3rd from the left as shown.

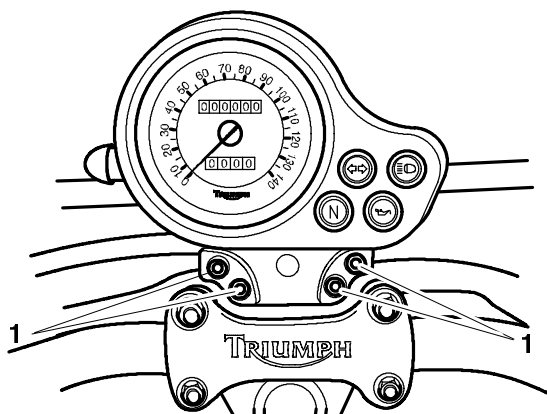


1. Cable
2. Instrument connector block

All VINs

12. Disconnect the instrument connector block.
13. Unscrew the mounting bolts and free the speedometer assembly from the top yoke.

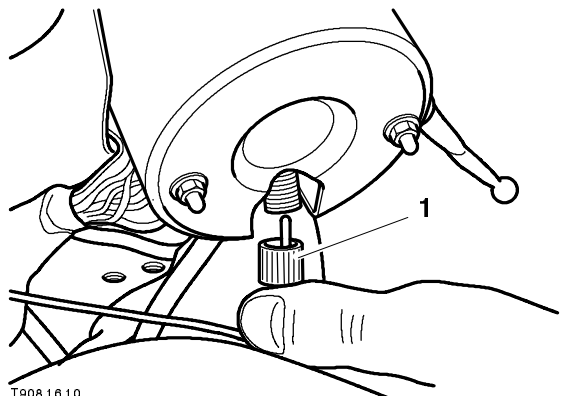
NOTE: The fixings will not be refitted but should be retained for future re-use if the tachometer kit is ever removed.



T908.A1.01

1. Speedometer assembly mounting bolts

14. Unscrew the retaining ring and detach the cable from the speedometer.



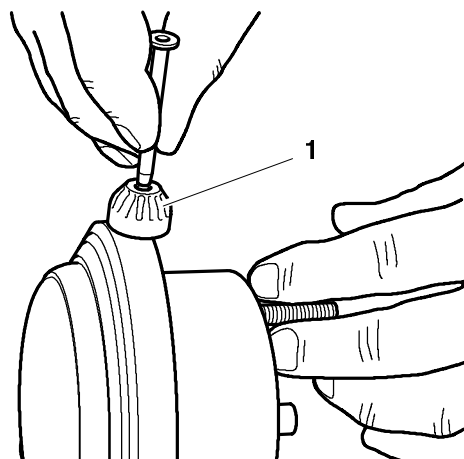
T008.16.10

1. Speedometer cable retaining ring

15. Note the instrument assembly sub-harness routing for future reference. Withdraw the instrument connector from the back of the headlamp connector. Remove the complete speedometer assembly from the motorcycle.

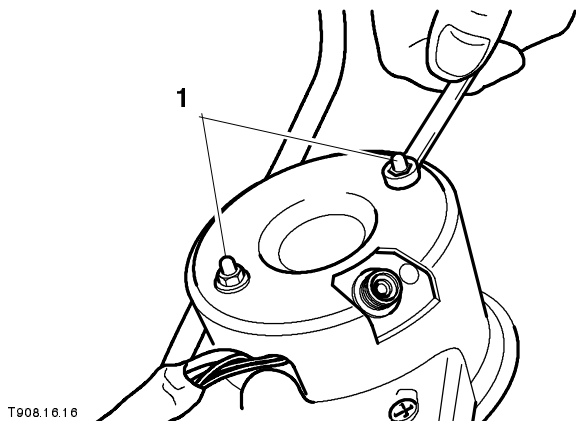
16. Undo the retaining screw and remove the trip meter reset knob. The retaining screw will be re-used.

NOTE: The trip meter reset knob will not be refitted but should be retained for future re-use if the tachometer kit is ever removed.



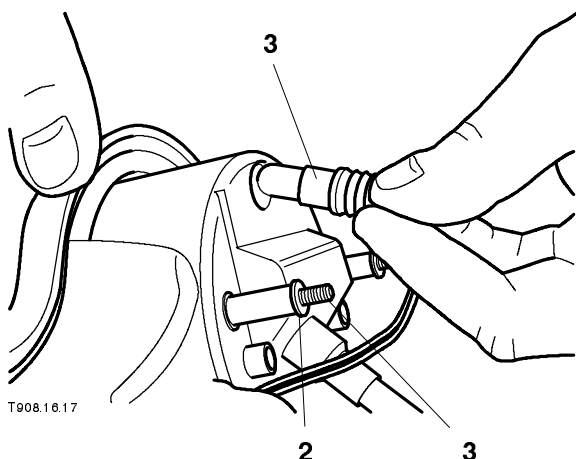
1. Trip meter reset knob

17. Unscrew the speedometer cover nuts. Collect the two washers and remove the cover from the base of the speedometer.



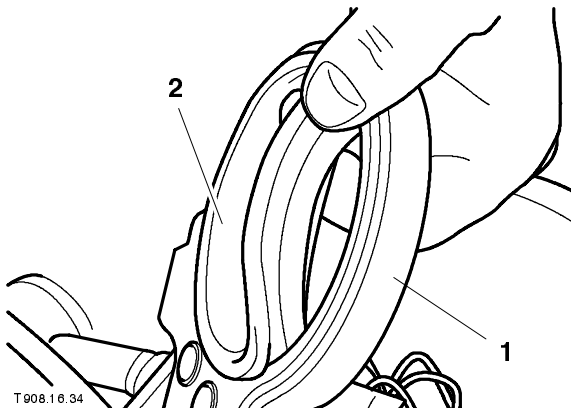
1. Speedometer cover nuts

18. Collect two further washers from the threaded posts. Free the bulbholders from the speedometer as shown below.



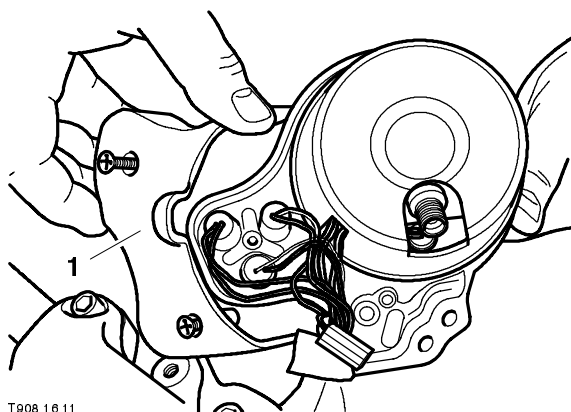
1. Threaded post
2. Washer
3. Bulbholder

19. Lift the speedometer out from the speedometer housing. Remove the mounting rubber from the housing.



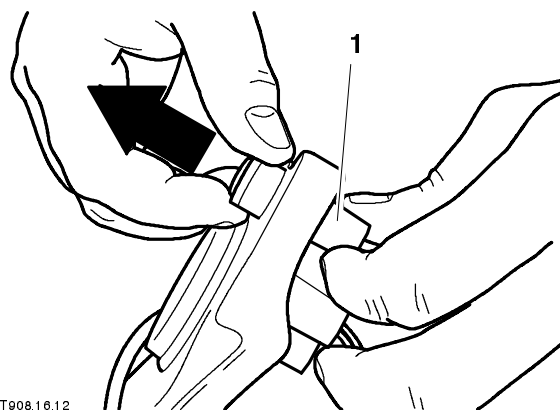
1. Speedometer housing
2. Mounting rubber

20. Undo the screws and remove the cover from the base of the housing to gain access to the bulbholders.



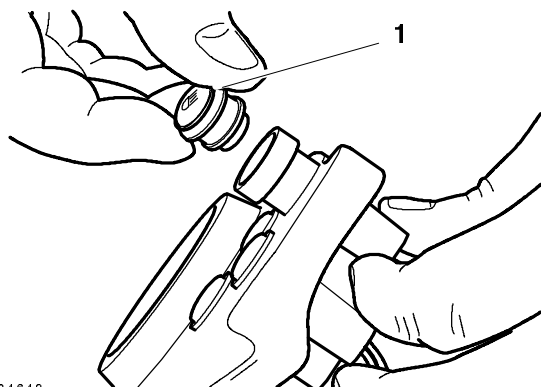
1. Bulbholder cover

21. Push each bulbholder forwards through the housing.



1. Bulbholder

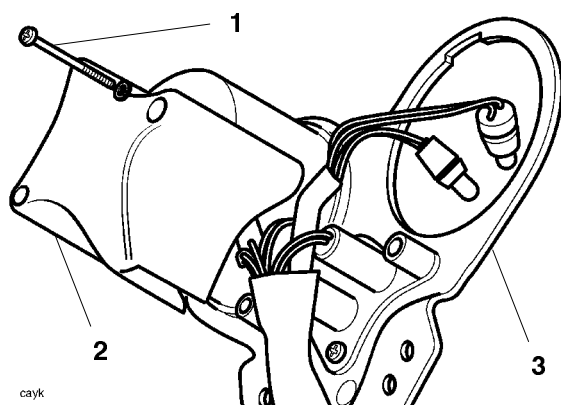
22. Remove the lens assembly from each bulbholder.



T908.16.13

1. Lens assembly

23. Remove the two screws securing the bulbholder cover to the new instrument assembly supplied in the kit.



cayk

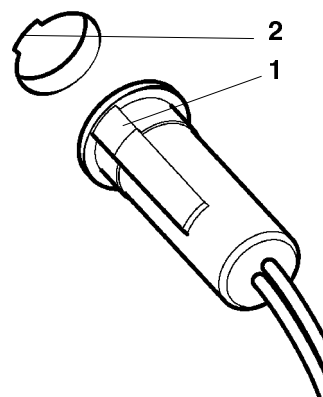
1. Screw

2. Bulbholder cover

3. Instrument assembly

24. Verify that each bulbholder is inserted in the correct aperture in the new instrument housing. The rear of each aperture is numbered and there is a corresponding numbered band attached to the wiring for each bulbholder.

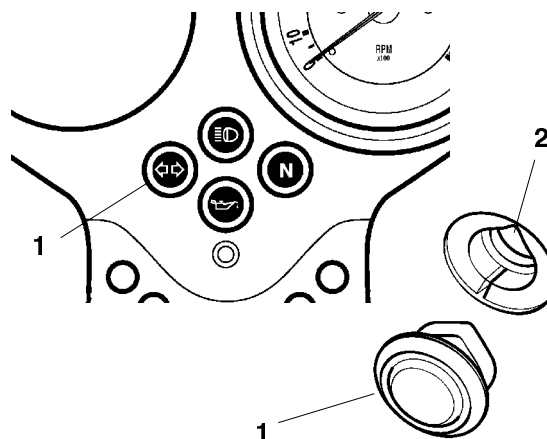
25. Ensure that each bulbholder tab engages with the slot in the instrument housing aperture as shown below.



1. Tab

2. Slot

26. Fit the four lens assemblies to the bulbholders in the locations shown below. Each lens assembly must be inserted such that the pointed edge engages in the bulbholder cut out.



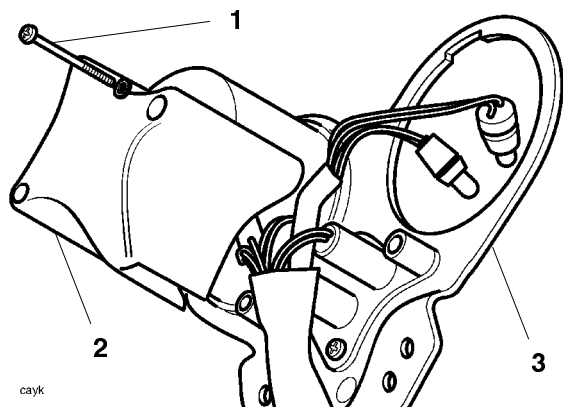
1. Lens assembly

2. Bulbholder cut out

Tachometer Kit Fitting Instructions - Bonneville

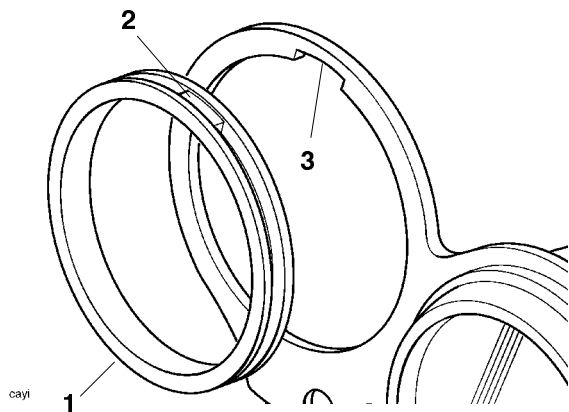


27. Position the bulbholder cover to the instrument assembly as shown. Refit the screws and secure the cover to the instrument assembly.



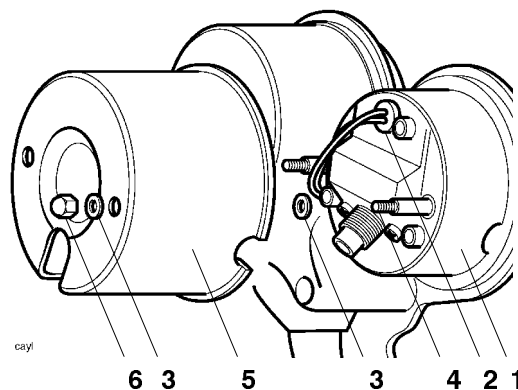
- 1. Screw
- 2. Bulbholder cover
- 3. Instrument assembly

28. Fit the original mounting rubber to the new instrument assembly as shown below. Ensure that the mounting rubber tab engages in the slot.



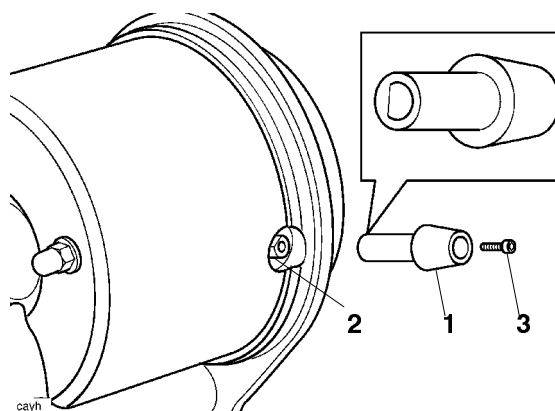
- 1. Mounting rubber
- 2. Tab
- 3. Slot

29. Install the speedometer into the instrument assembly and fit the bulbholders. Fit a washer onto each threaded post. Seat the cover on the speedometer. Refit the nuts and washers and tighten securely.



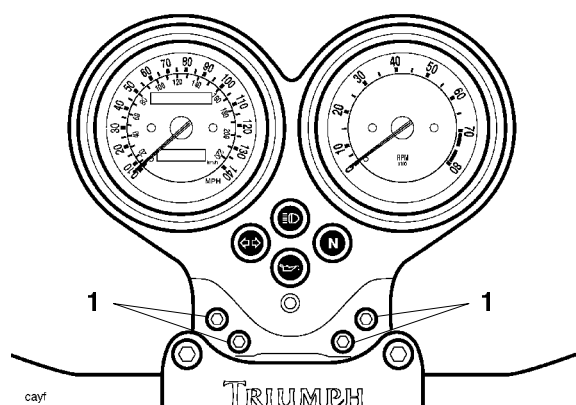
- 1. Speedometer
- 2. Bulbholder
- 3. Washer
- 4. Threaded post
- 5. Speedometer cover
- 6. Nut

30. Fit the trip meter reset knob supplied with the kit to the speedometer. Ensure that the flat surface inside the trip knob engages with the flat on the trip meter reset spindle. Secure using the original retaining screw.



- 1. Trip meter reset knob
- 2. Trip meter reset spindle
- 3. Retaining screw

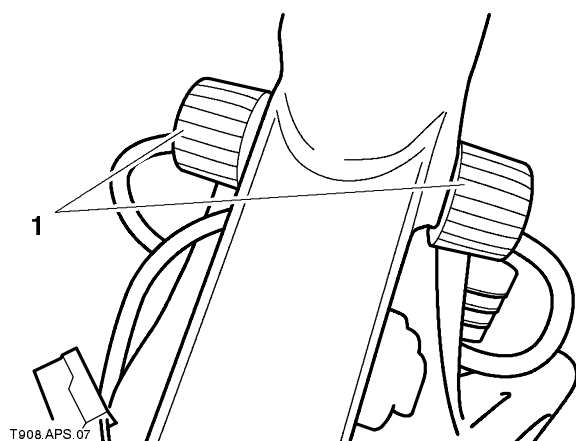
31. Route the instrument assembly sub-harness as noted in step 15. Feed the instrument assembly connector through the back of the headlamp shell and connect to the main harness.
32. Reconnect the speedometer cable.
33. Attach the instrument assembly to the top yoke as shown below using the four M6 x 16 domed screws supplied with the kit. Tighten the bolts to **9 Nm**.



1. Domed screw

Motorcycles up to VIN 149948 only

34. Ensure the fuel tank front mounting rubbers are correctly fitted to the frame then refit the tank.



1. Fuel tank front mounting rubbers

35. Securely reconnect the fuel hose and breather hose to the tank. On California models connect the evaporative loss system hose.

36. Ensure the collars and rear mounting rubbers are correctly fitted then install the fuel tank mounting bolts, tightening them to **9 Nm**.
37. Turn the fuel tap ON and check for fuel leaks.

All VINs

38. Reconnect the wiring connectors to the headlight and sidelight bulbs.
39. Seat the headlight rim correctly in its shell and securely tighten its screws.
40. Reconnect the battery, connecting the positive (+) terminal first.
41. Check for correct operation of the headlamp.
42. Check for correct operation of all tell-tale lights and instrument illumination.
43. Check for correct operation of all other lighting and light signalling devices.
44. Install the seat, tightening its screws to **10 Nm**.